

1

2

3

4

5

6

A

A

B

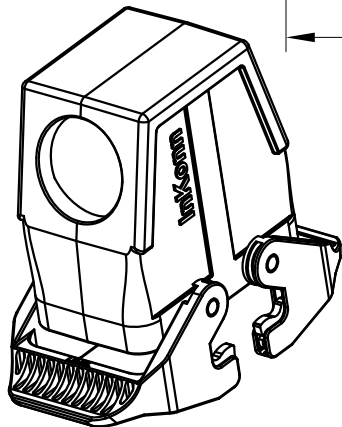
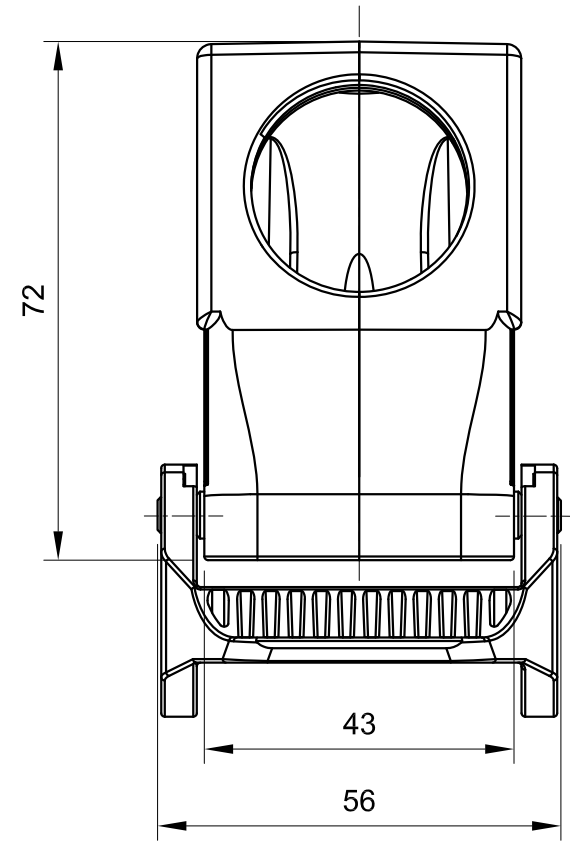
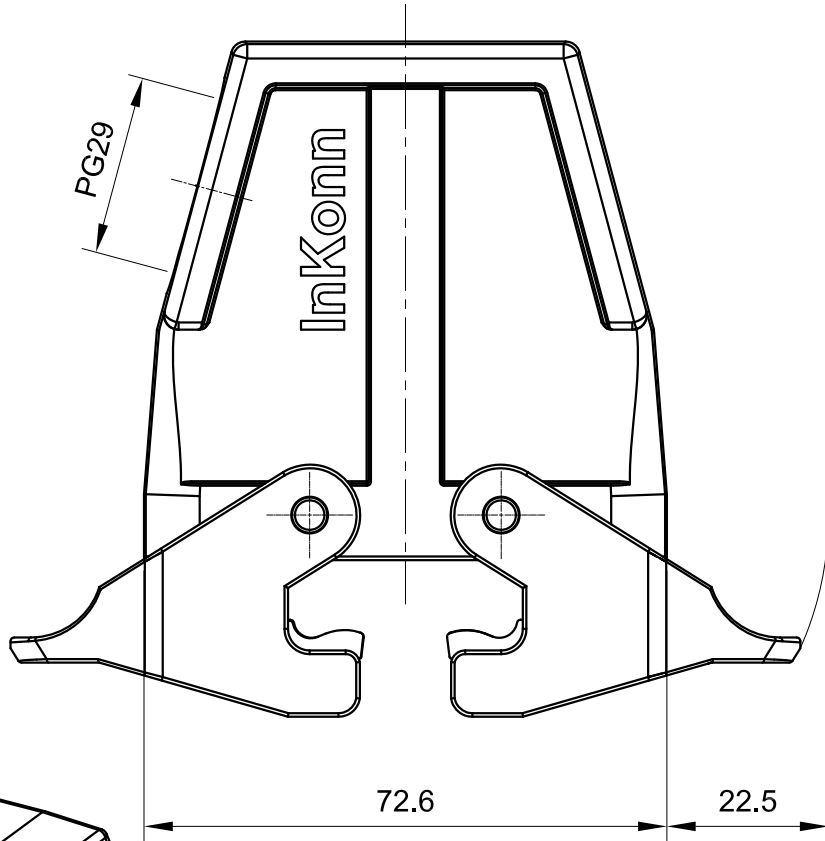
B



C

C

D

D



 <b>InKonn®</b> InKonn (Suzhou) Electric Technology Co.,Ltd.	 All Dimensions in mm Original Size DIN A4	Date 2019-12-10	Drawing No. TC0117447	Rev. A00	Scale 1:1
	Part No. 10 11 810 1124	Created by Shuxu Huang	Checked by Yiyi Luo	Page 1/1	
Type Name HB10-HSE-DL-PG29					

1

2

3

4

5

6